

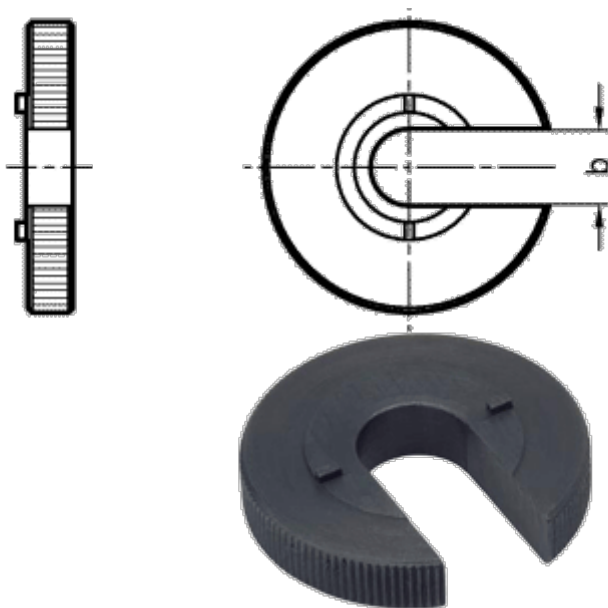
Data Sheet



Article number: 20892008

Description: E+G Tool for GN 613
GN 613.1-10

Measures



b = 10 mm